



## Application

The COLM (COntec Level Measurement) 6400 Series gauges are widely used to indicate the liquid levels of chemicals and aggressive fluids. It is used for tank diameter / height up to 2.000 mm and tank pressure up to 30 bar. The float is also counterbalanced for low specific gravity fluids. The gauge can be equipped with a direct reading dial, Twinsite or switch.



## General Specifications

<b>Accuracy:</b>	Direct dials $\pm 3\%$ ; TwinSite™ $\pm 7\%$ .
<b>Temperature Range:</b>	-40 °C to +70 °C
<b>Shock &amp; Vibration:</b>	Suitable for mobile applications.
<b>Power:</b>	0.5 watts max. (TwinSite™)
<b>Approvals:</b>	<ul style="list-style-type: none"> <li>• ATEX approved</li> <li>• UL listed for flammable liquids (optional)</li> </ul>

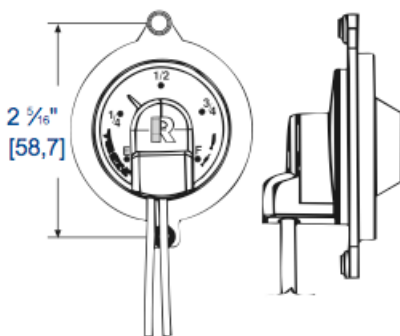
## Materials of Construction

<b>Head:</b>	Stainless Steel
<b>Gear housing:</b>	Stainless Steel
<b>Centershaft, support tube, float rod:</b>	Stainless Steel
<b>Gears, cross stud, bearings:</b>	Stainless Steel
<b>Drive magnet:</b>	Teflon Coated Neodymium
<b>Float:</b>	Stainless Steel
<b>Gasket:</b>	Teflon, Stainless Steel
<b>Counterweight:</b>	Stainless Steel

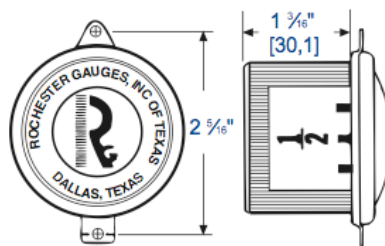
## Technical data

Model	Mounting	Dial Type
6440	Top	Twinsite
6443	Horiz. or Angle	Twinsite
6460	Top	Side reading
6480	Top	50 mm dial
6483	Horiz. or Angle	50 mm dial
6490	Top	100 mm dial
6493	Horiz. or Angle	100 mm dial

Twinsite Dial with output signal



Side-Reading Dial



Standard Dial

